



Lochinvar[®]
High Efficiency Water Heaters, Boilers and Pool Heaters

**STAINLESS STEEL
INDIRECT WATER HEATER
Submittal Sheet**

SIT-Sub-02

STAINLESS STEEL INDIRECT WATER HEATERS

JOB NAME _____

LOCATION _____

ARCH./ENGR. _____

WHOLESALE _____

MECH. CONTRACTOR _____

MODEL NO. _____

GALLON CAPACITY _____

NOTES

Standard Features

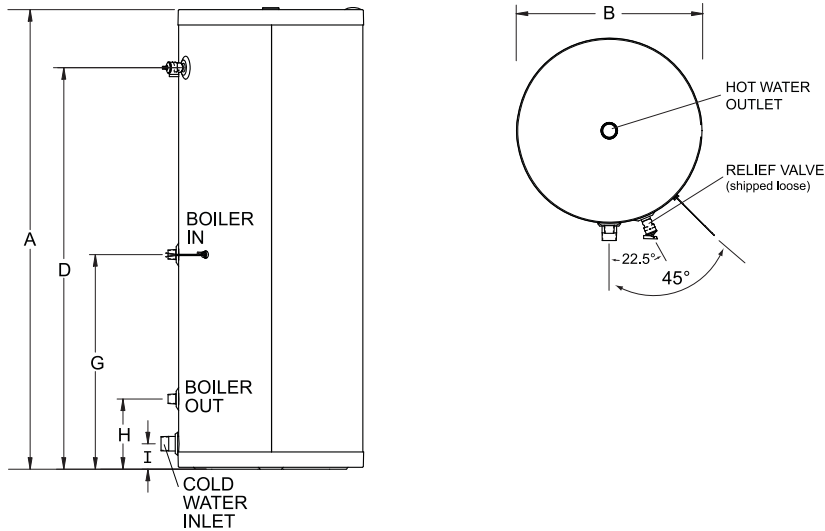
- Fully Welded Construction
- 100% Stainless Steel Construction
- Built in U.S.A. at Lochinvar World Headquarters
- 316L Passivated Stainless Steel Tank
- 304L Stainless Steel Heating Coil
- 1" Boiler Supply and Return Connections
- 1" Domestic Water Connections (30, 40, 50 models)
- 1-1/2" Domestic Water Connections (65, 80, 119 models)
- Non-HCFC High Density Foam Insulation
- Temperature and Pressure Relief Valve (Shipped Loose)
- Factory Supplied Tank Sensor
- Warranty - *Limited Lifetime*
Five year limited tank warranty on all models when used in a commercial application.
One year warranty on parts.
(See warranty for details)

Optional Equipment

Place an X in the box by all options that apply

Aqua Stat

Stainless Steel Indirect Water Heater Dimensions & Specifications



Model Number	A	B	D	G	H	I	Domestic Water Conn.	Coil Connection Size	Shipping Wt. (lbs.)
SIT030	39-1/2"	20"	32-1/4"	21-3/4"	8-1/4"	3"	1"	1"	79
SIT040	55-1/2"	20"	48-1/2"	25-1/4"	8-1/4"	3"	1"	1"	105
SIT050	47"	24"	39-3/4"	24-1/2"	9-1/4"	3-3/4"	1"	1"	131
SIT065	60"	24"	52-1/4"	28"	9-1/4"	3-1/4"	1-1/2"	1"	147
SIT080	69-1/2"	24"	61-3/4"	28"	9-1/4"	3-1/4"	1-1/2"	1"	177
SIT119	68-1/4"	28"	60-1/4"	31-3/4"	9-1/4"	3-1/4"	1-1/2"	1"	213

Model Number	Capacity (Gallons)	Heat Source Water Volume (Gallons)	Standby Loss (°F/Hr)	Continuous Delivery (GPH)	1st Hour Delivery (Gallons)	Min. Coil Load (Btu/Hr)	Flow Rate (GPM)	Friction Loss (Ft. Hd.)
SIT030	27	1.1	1.2	160	183	99,000	14.0	3.9
SIT040	40	1.6	0.7	181	208	115,000	14.0	4.5
SIT050	52	1.7	0.6	209	255	133,000	14.0	5.3
SIT065	67	1.9	0.5	263	327	154,000	14.0	5.7
SIT080	82	2.1	0.5	285	358	171,000	14.0	6.1
SIT119	113	3.2	0.4	349	459	216,000	14.0	6.5

Performance data is based on IBR test results. All ratings are based on 180°F boiler water temperature.

Includes tank sensor for use with KNIGHT Heating Boiler.

Optional thermostat available for use with other boiler models.



Lochinvar®
High Efficiency Water Heaters, Boilers and Pool Heaters



Lochinvar Corporation • 300 Maddox Simpson Pkwy • Lebanon, TN 37090 • 615-889-8900 / Fax: 615-547-1000
www.Lochinvar.com